

B.E.G.

LUXOMAT®



PD3-1C-SM

92194 EAN: 4007529921942

- Voltage: 110 – 240 V AC 50 / 60 Hz
- Dimensions: SM= Ø 106 x 53 mm
- Power consumption: < 0.3 W

Order data

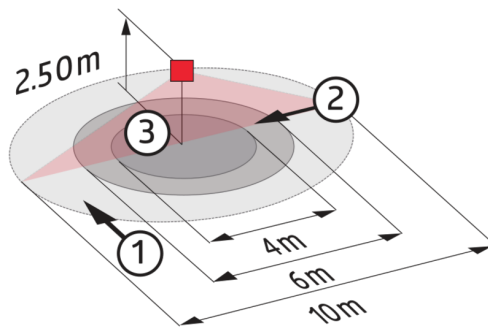
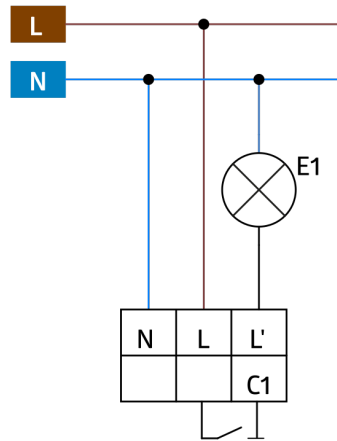
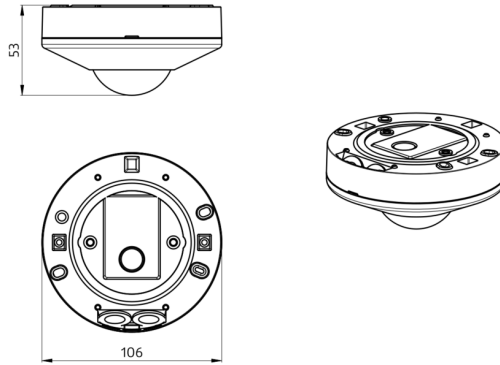
Designation	Colour	Art.No
PD3-1C-SM	white	92194

Technical data

Voltage:	110 – 240 V AC 50 / 60 Hz
Dimensions:	SM= Ø 106 x 53 mm
Power consumption:	< 0.3 W
Detection area:	horizontal 360° (Ceiling mounting) max. Ø 10 m across max. Ø 6 m towards max. Ø 4 m seated
Range:	
Monitored area (tangential movement):	78 m ² / 2.5 m mounting height
Mounting height min./max./recommended:	2 m / 5 m / 2.5 m
Degree / class of protection:	SM= IP44 / Class II
Ambient temperature:	-25 °C to +50 °C
Housing:	polycarbonate, UV-resistant
Material color:	white mat, similar to RAL9010
Channel 1 (lighting control)	
	2000 W, cos φ = 1 1000 VA, cos φ = 0.5
Switching power:	250 W LED, minimum runtime > 5 min max. inrush current I _p (20 ms) = 80 A
Type of contact (k):	μ-contact, NO contact
Follow-up time:	30 sec – 30 min, Pulse
Switch-on threshold:	10 – 2000 Lux

Product information

Ceiling motion detector
One channel for light switching
Zero crossing switching
Switching for all types of light fixtures by high performance relay
Special optical system for detection of even the smallest movements
Serial impulse function



Order data

Designation	Colour	Art.No	EAN
96-x-PD3-1C-SM-93232	white	93232	4007529932320
PD3N-1C-SM-92190	white	92190	4007529921904
PD3N-1C-SM-Micro-92219	white	92219	4007529922192
